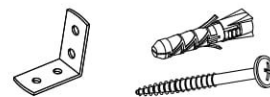
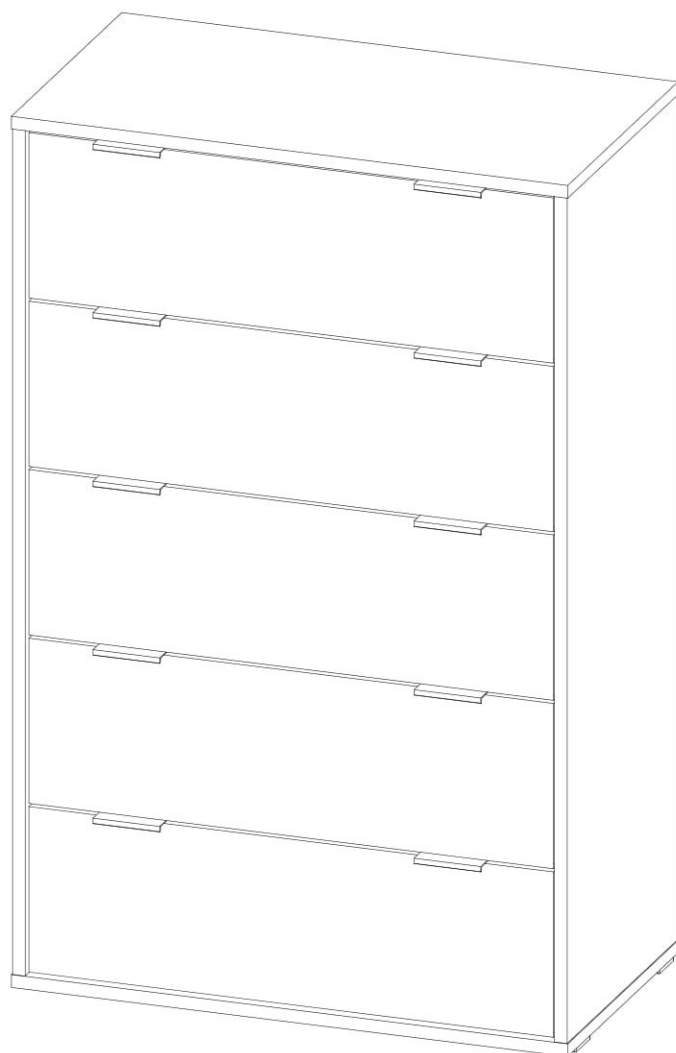


Hugo 1100x700x380 mm

ASSEMBLY INSTRUCTION



The dowel and the wall mounting angle are not included. Purchase separately.



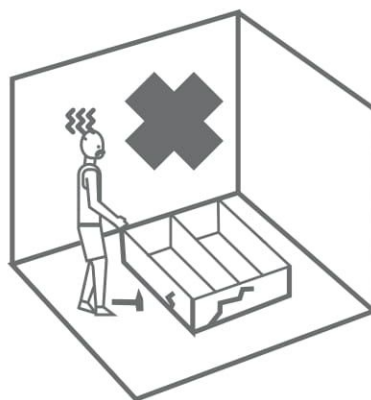
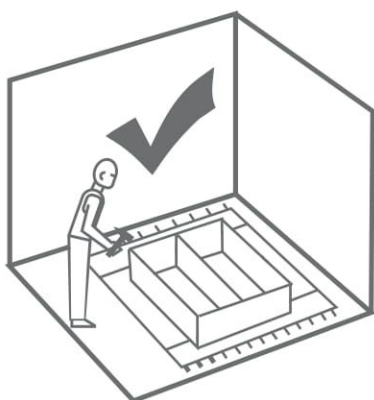
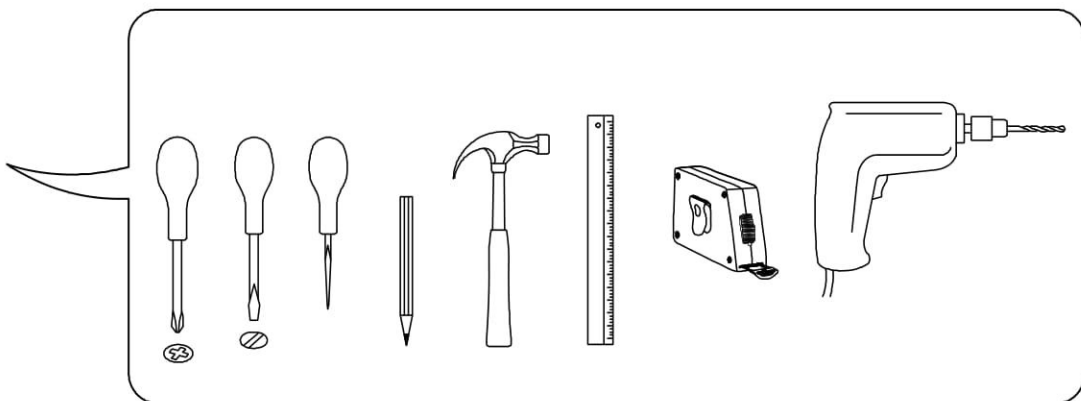
NOTE!

For all questions and complaints about this product, please contact the place of purchase of this product.

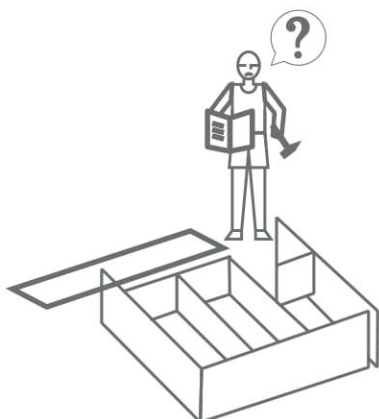
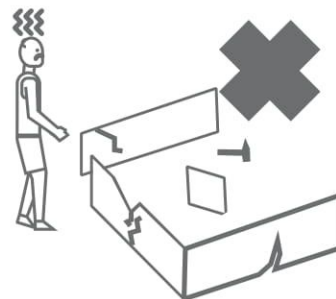
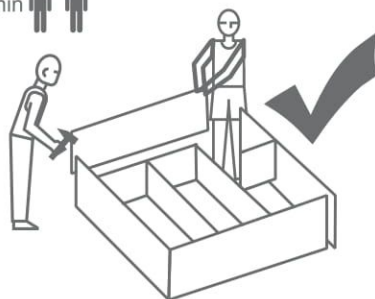


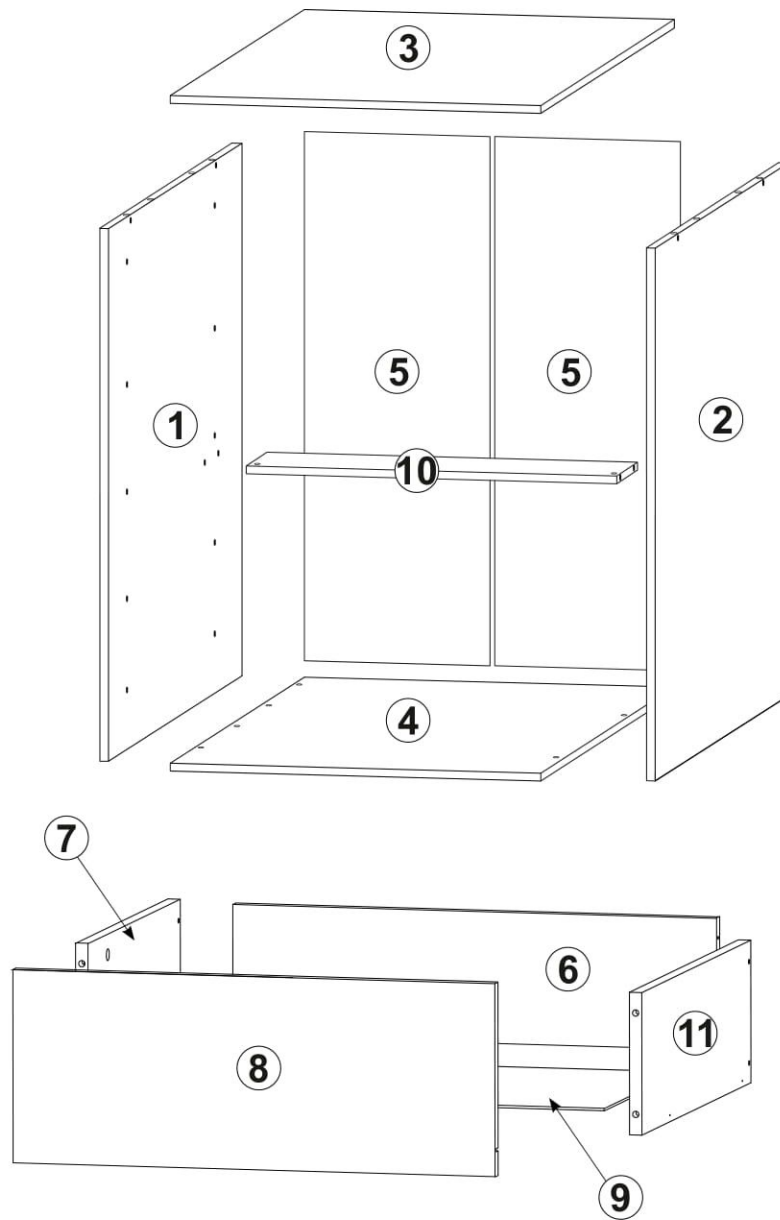
RULES FOR USE AND CARE OF FURNITURE

1. Use furniture only in dry rooms protected from the effects of weather conditions.
2. Install with suitable tools according to these assembly instructions.
3. Try to assemble as close to the location as possible.
4. The body is assembling in a horizontal position.
5. Before moving furniture, make sure that it is not loaded with items.
Caution: moving furniture may damage it.
When moving, hold on to vertical elements only; moving furniture by horizontal parts can break the product.
6. Overloading the furniture can damage it.
7. From time to time check the fittings and their correct position.
8. Wipe the furniture surface only with a slightly damp cloth or paper towels. Do not use chemical cleaning agents other than those specifically made for this.

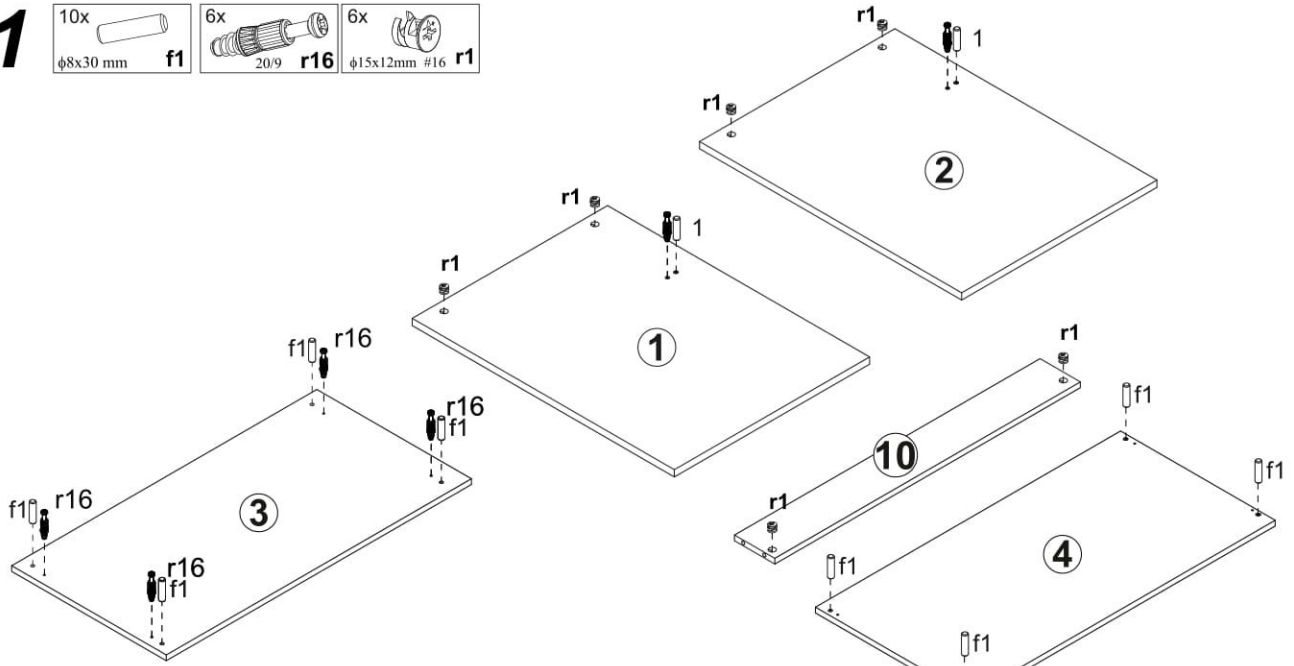
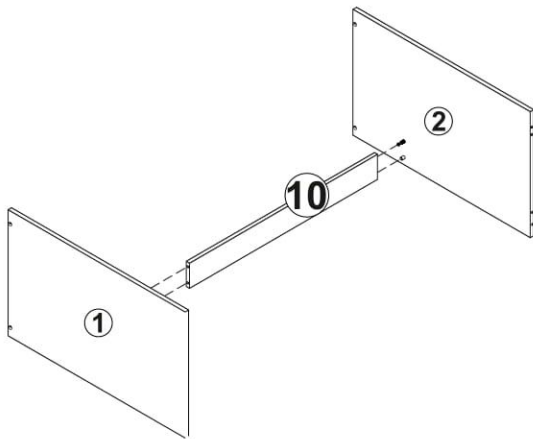
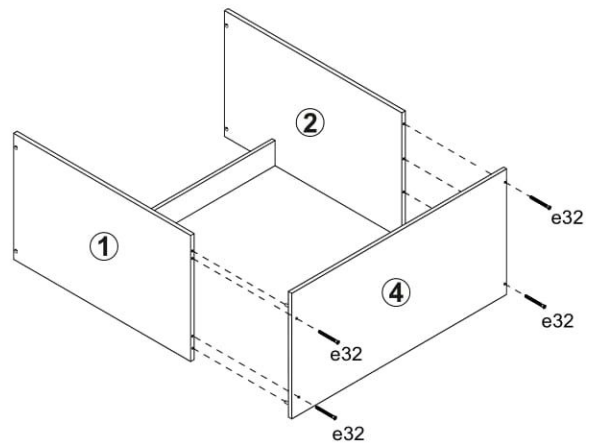
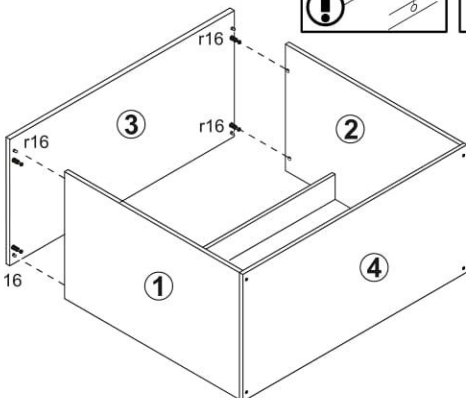
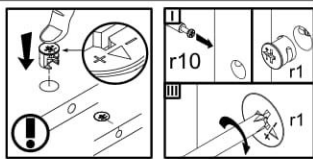
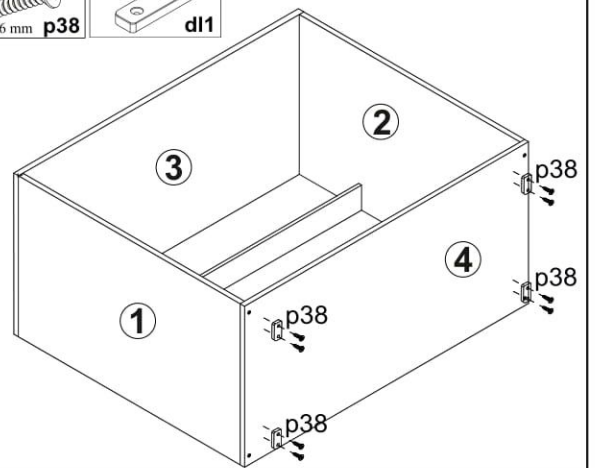


60-120 min



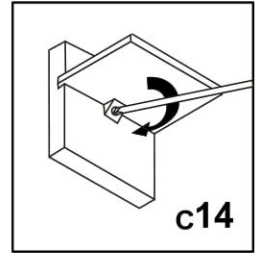
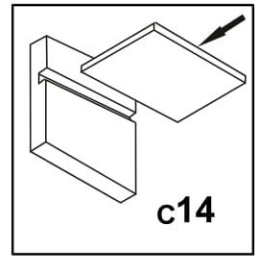
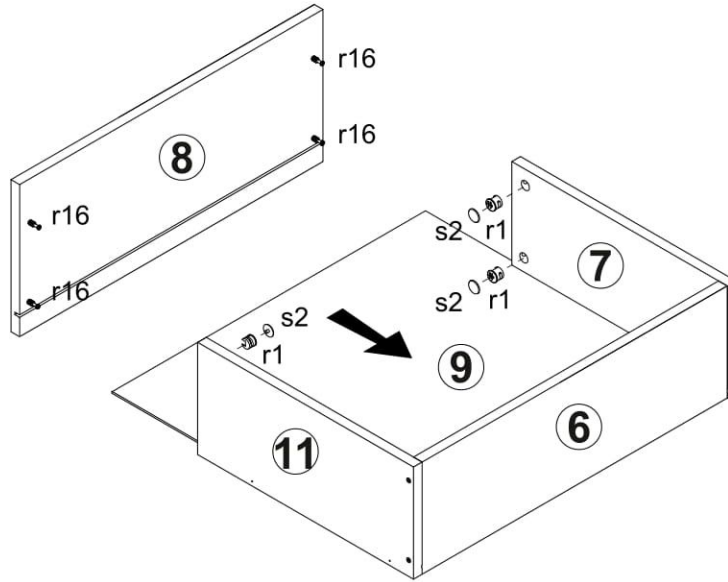


5x w5^{DR}	5x w5^{CL}	5x w5^{CR}	1x r16	10x e3	 s2	20x $\phi 3,5 \times 16$ mm p39
5x w5^{DL}	4x dl1	26x $\phi 15 \times 12$ mm #16 r1	26x 20/9 r16	40x $\phi 6,4 \times 13$ mm e3	 l1	 s1
10x 15x10x14mm c14	24x $\phi 7 \times 50$ mm e32	10x $\phi 8 \times 30$ mm f1	30x $\phi 3,5 \times 16$ mm p38	1x z1		

1**2****3****3****4**

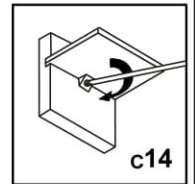
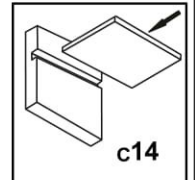
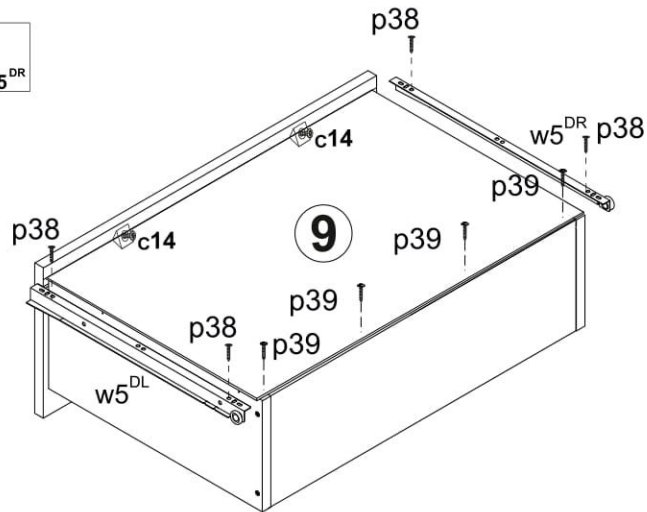
8

20x
φ15x12mm #16 r1



9

20x φ3,5x16 mm p38
5x w5^{DL}
5x w5^{DR}
10x 15x10x14mm c14
20x φ3,5x16 mm p39



10

10x
20x φ6x13 mm e3
2x φ3,5x16 mm p38

