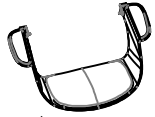


# ASSEMBLY INSTRUCTION

F2-G21

A 1pc H 2pc

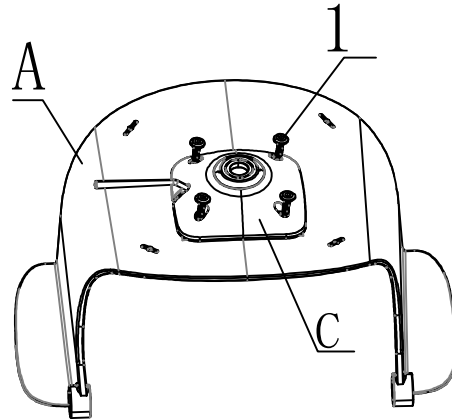


Seat



Decorative cover

①



B 1pc I 4pc



Back



Screw 6X20

C 1pc 2 2pc



Mechanism



Screw 8X35

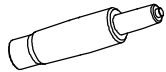
D 1pc



Base

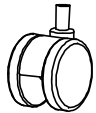
②

E 1pc



Gas Lift

F 5pc

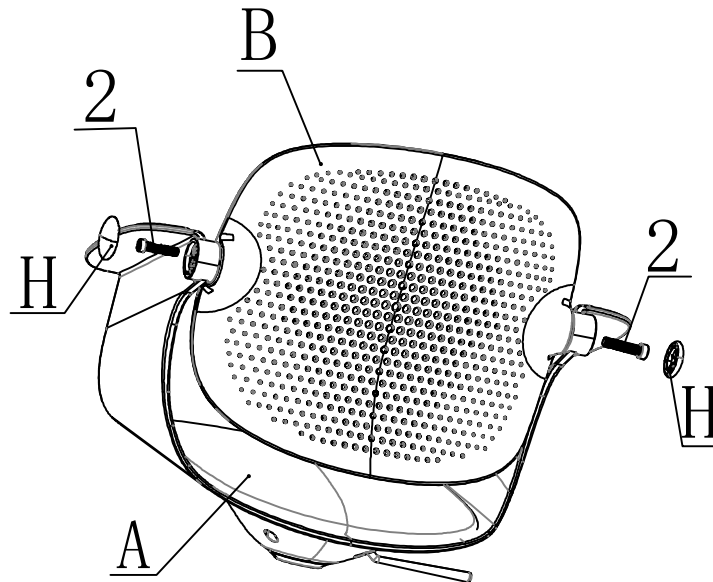


Castors

G 1pc



Footring



③

