

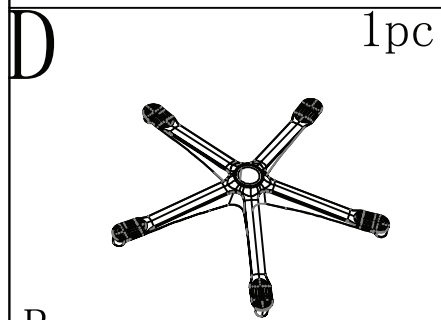
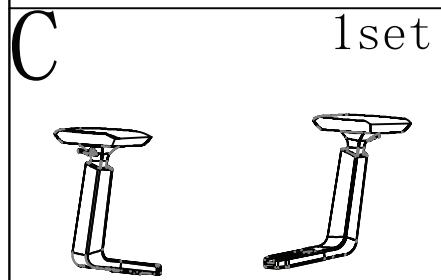
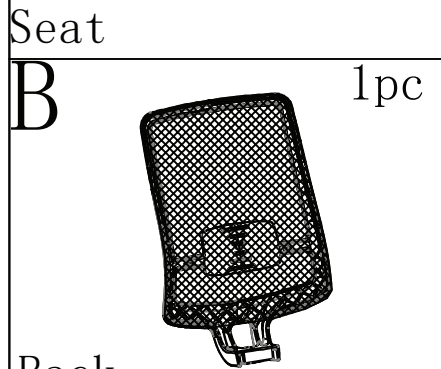
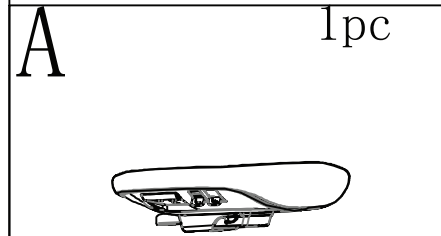
ADAPWORK®

Middle M3 ErgoChair

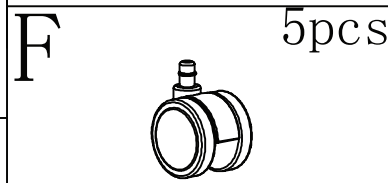
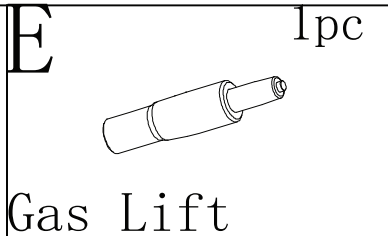
Інструкція зі складання

Simply innovative.
Iconic comfortable.
Fully adjustable.

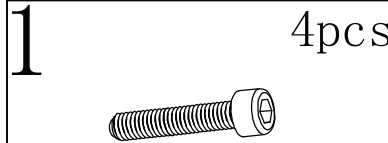
ADAPWORK Middle M3 ErgoChair



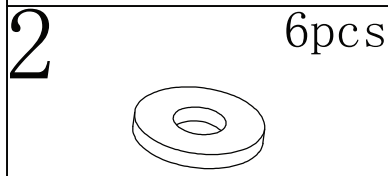
Base



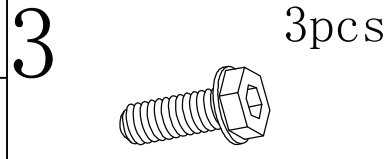
Castors



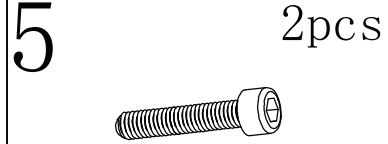
Screw 6X35



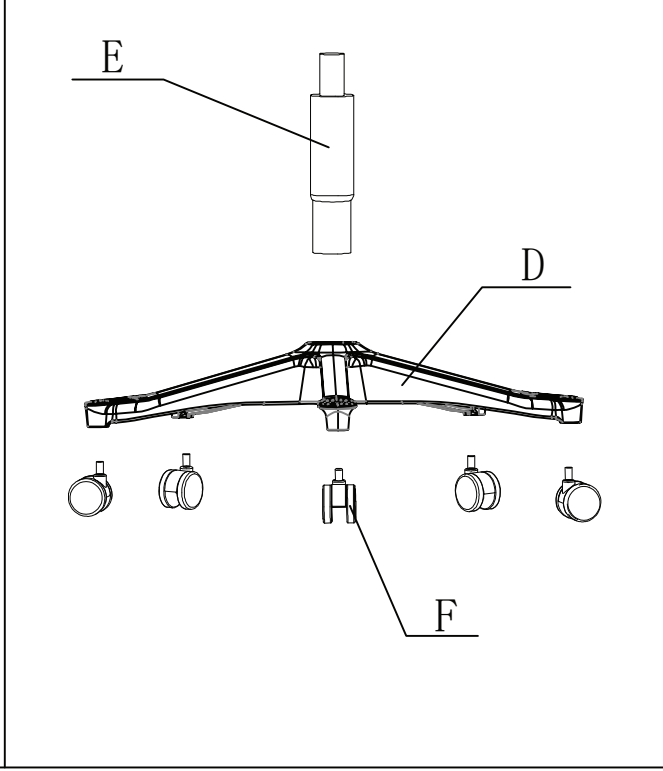
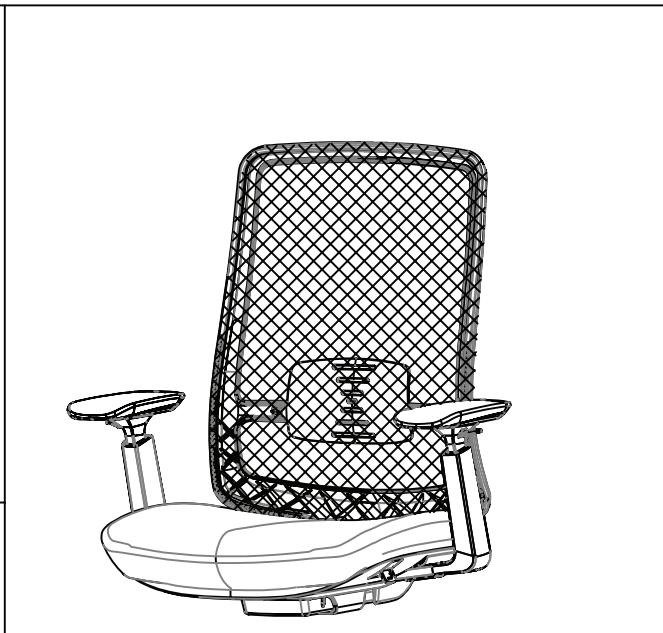
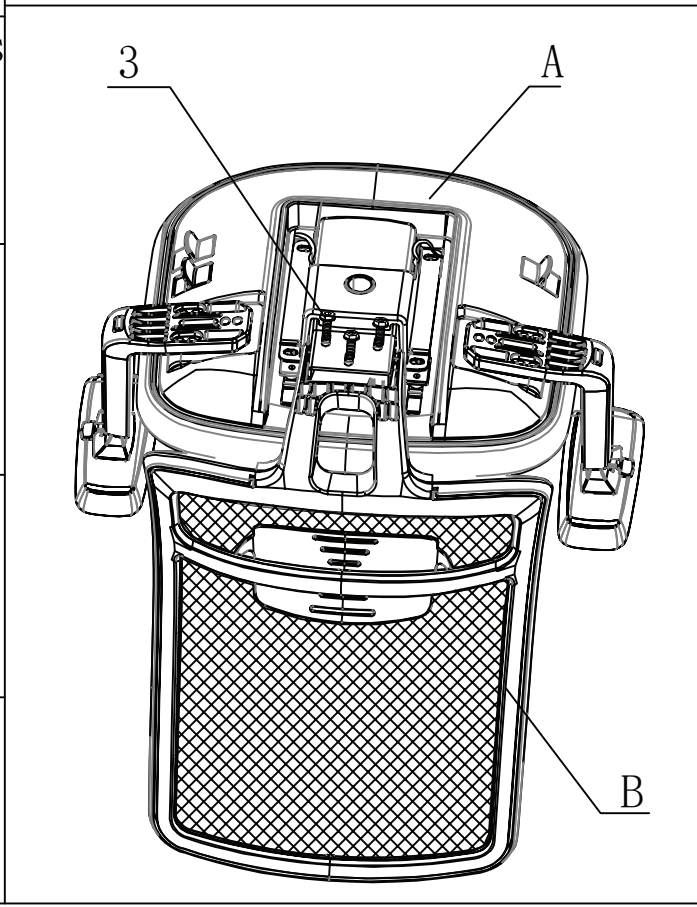
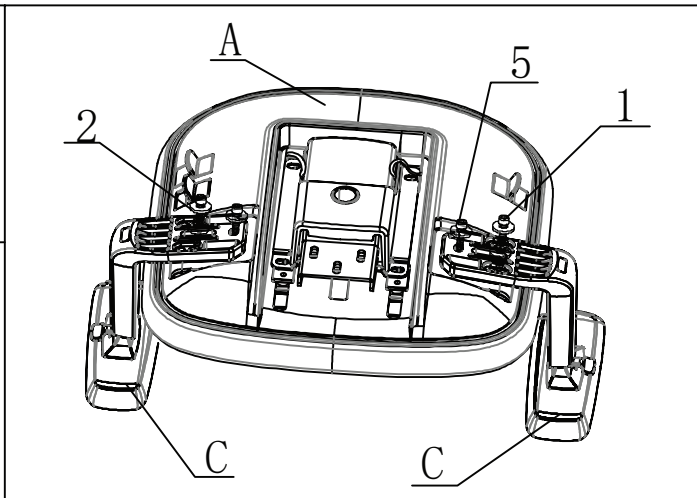
Washer 6X16



Screw 8X20



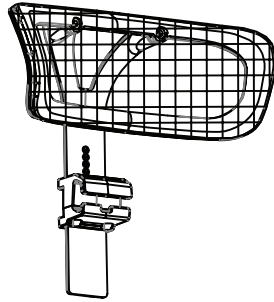
Screw 6X45



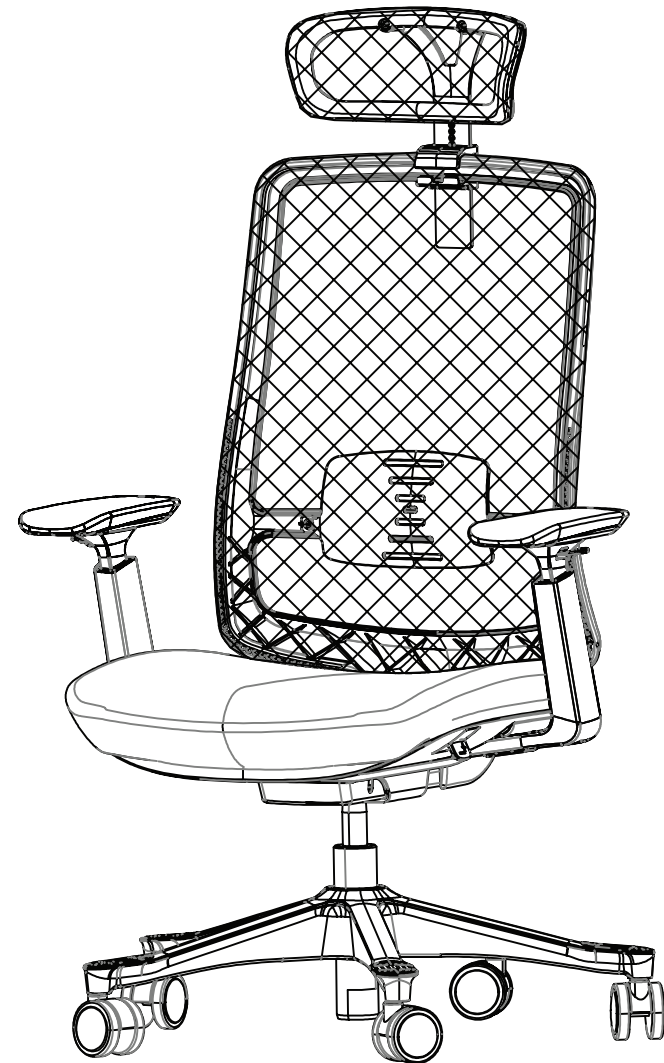
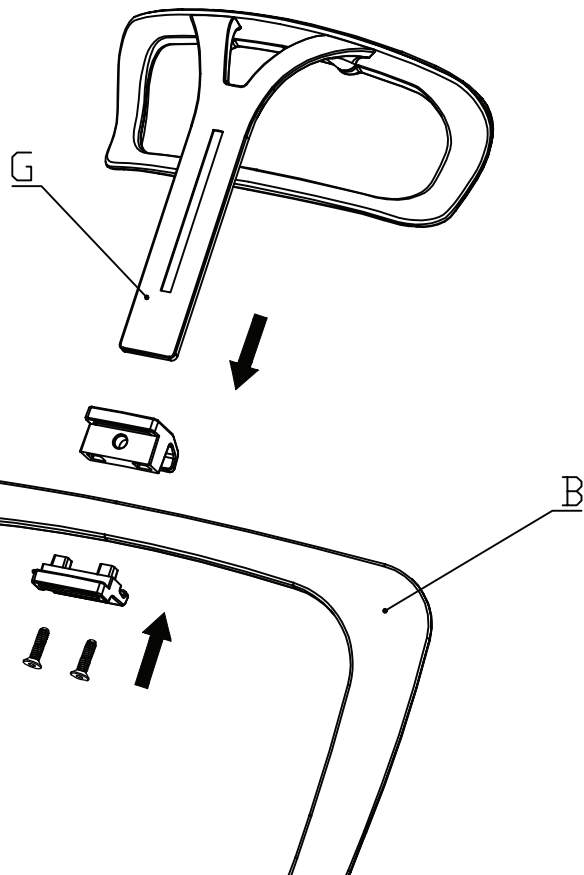
ADAPWORK Middle M3 ErgoChair

G

1pc



Headrest



Thanks for your choice. ADAPWORK®